



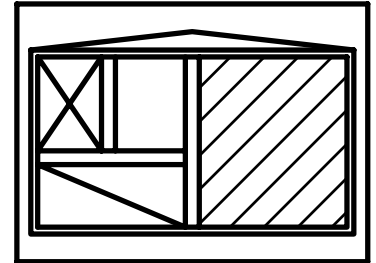
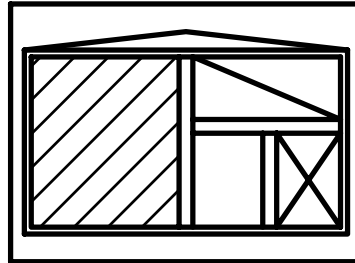
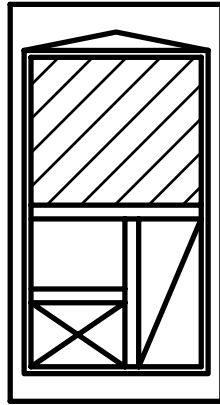
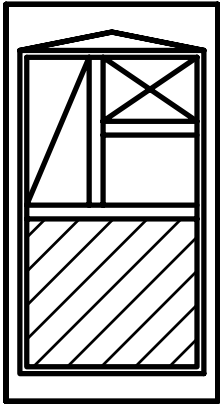
MBC3

CRRFCURB001A00

800-683-5848 Ph.

800-683-5849 Fax

These drawings for coordination and dimensions only and do not represent a particular curb style



Option A



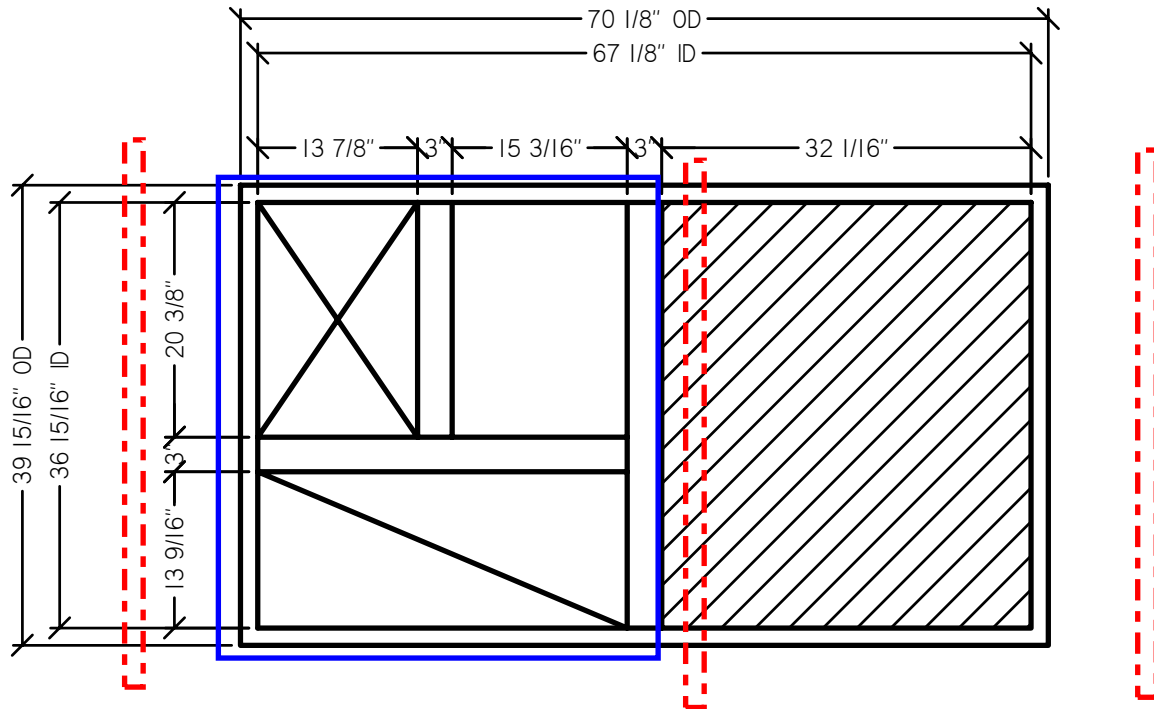
Option B



Option C



Option D



Slope: \_\_\_\_\_

Customer: \_\_\_\_\_

Min HT: \_\_\_\_\_

Job name: \_\_\_\_\_

Front Flange: \_\_\_\_\_

Qty: \_\_\_\_\_

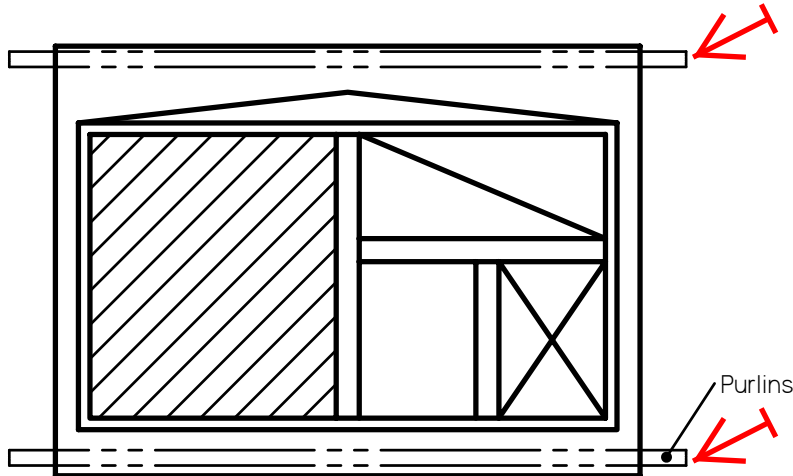
Rear Flange: \_\_\_\_\_

Tag: \_\_\_\_\_

Side Flanges: \_\_\_\_\_

**All weight is imposed on (2) purlins**

Orientation option long side diverter



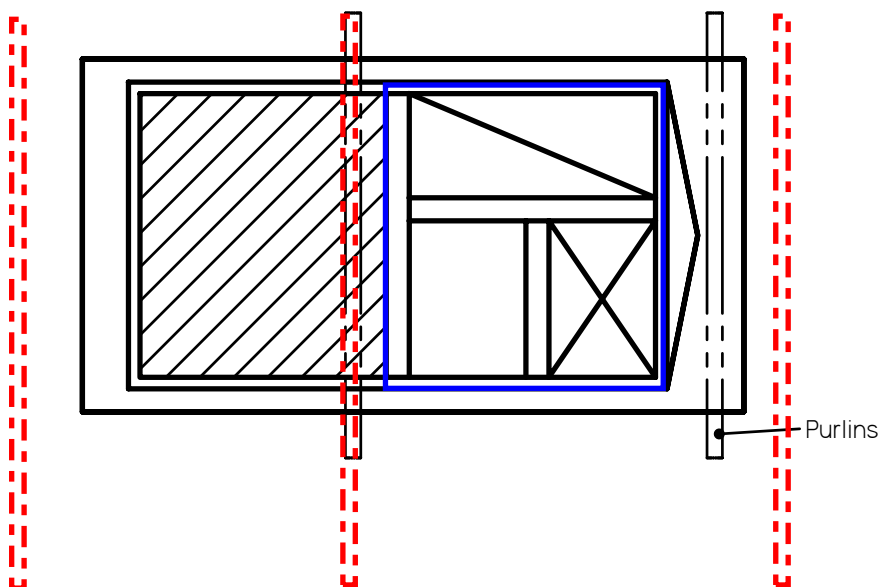
Minimum / Closest purlin spacing to allow supply & return to work without cutting / splicing a purlin.

Min. spacing  
46 15/16" OC

These drawings for coordination and dimensions only and do not represent a particular curb style

Orientation option short side diverter

**Weight is distributed across (3) purlins**



Minimum / Closest purlin spacing to allow supply & return to work without cutting / splicing a purlin.

Min. spacing  
42 1/16" OC